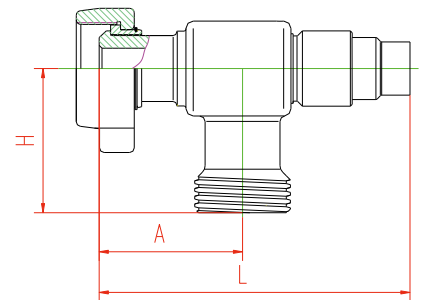
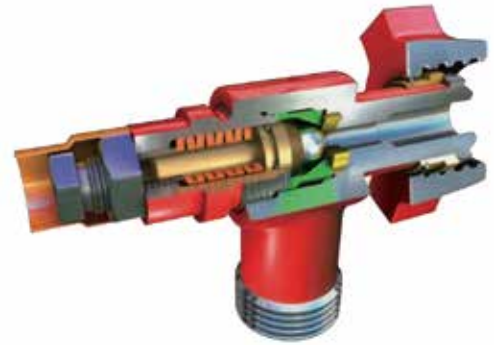


# SAFETY VALVE

Emergency release valves (safety valve) , with self-reset function, can automatically release pressure when the actual pressure exceed the preset value. Its release mechanism is of spring-loaded ball and seat, to protect personnel and high pressure system. The value of pressure release can be adjusted from 14Mpa to 140Mpa through a top adjustment bolt. The valves can be installed on high pressure fluid control lines, reciprocal plunger pumps or pressure vessels with maximum working pressure of 105MPa or 140MPa. When the system pressure exceeds the preset value, it can open the valve, after it drops, the valve will automatically close.



- Union connection makes installation and dismounting convenient.
- The automatic open/close of valve is realized through a spring without shutting down the system for protection, with a better performance than shear type safety valve.
- The preset pressure value can be adjusted.

Purchasing No.	Model	Size	Working pressure Mpa/Psi	Overall dimensions (mm)			Connection type	Environment
				L	A	H		
GE-2SV105215FM	SWG34-105-2	2"	105/15000	366	154	154	FIG1502 (F×M)	Standard
GE-2SV140320FM	SWG34-140-2	2"	140/20000	376	166.5	154	FIG2002 (F×M)	Standard

## Repair kits for emergency release valve



- ① O-ring for spring seat
- ② valve rod
- ③ seal ring, valve rod
- ④ I O-ring I for valve rod
- ⑤ steel ball
- ⑥ valve seat
- ⑦ O-ring for valve seat

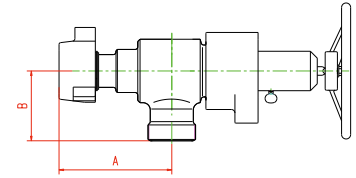
## List of repair kits for emergency release valve

S/N	Name	Quantity	
		GE-2SV105215FMXL	GE-2SV140220FMXL
1	O-ring for spring seat	1	1
2	valve rod	1	1
3	seal ring, valve rod	1	1
4	I O-ring I for valve rod	1	1
5	steel ball	1	1
6	valve seat	1	1
7	O-ring for valve seat	1	1

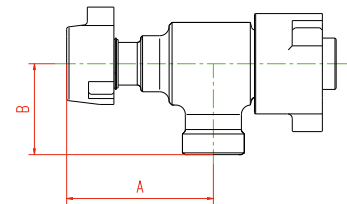
# CHOKE VALVE

A choke valve is mainly used to adjust the flow and pressure of piping system. Two types of choke valves are available: fixing and adjustable choke valves. We can provide needle, barrel or orifice plate type of adjustable choke valves, manual or hydraulic. End connections of choke valves can be a union or flange. Adjustable choke valves adjust the flow and pressure by changing the choked area.

- Users can read the flow value through a scaleplate.
- Valve core is made of special metal to lengthen the operation life of valves.
- The size of fixing nozzle can be made in metric or US system.



Manual Type Choke Valve



Fixing Type Choke Valve

Purchasing No.	Model	Size	Working pressure Mpa/Psi	Overall dimensions(mm)		Connection type	Adjustment type	Execution mechanism	Environment
				A	B				
GE-2COV105215MG	SWG36-105-2G	2"	105/15000	154	206	FIG1502 (F×M)	fixing nozzle	/	Std
GE-2COV105215MZ	SWG36-105-2Z	2"	105/15000	154	206	FIG1502 (F×M)	needle adjustable type	manual	Std
GE-3COV105315MZ	SWG36-105-3Z	3"	105/15000	243	243	FIG1502 (F×M)	needle adjustable type	manual	Std
GE-2116COV35MFT	SWG36-35-52T	2-1/16"	35/5000	214	214	2-1/16" -5000psi API flange	barrel adjustable type	manual	Std
GE-2116COV35MFZ	SWG36-35-52Z	2-1/16"	35/5000	203	175	2-1/16" -5000psi API flange	needle adjustable type	manual	Std
GE-2116COV70MFZ	SWG36-70-52Z	2-1/16"	70/10000	225	195	2-1/16" -10000psi API flange	needle adjustable type	manual	Std
GE-2116COV105MFZ	SWG36-105-52Z	2-1/16"	105/15000	262	226	2-1/16" -15000psi API flange	needle adjustable type	manual	Std
GE-2116COV14020MZ	SWG36-140-2Z	2"	140/20000	205	240	FIG2002 (F×M)	needle adjustable type	manual	Std
GE-2916COV70MFZ	SWG36-70-65Z	2-9/16"	70/10000	298	264	2-9/16" -10000psi API flange	needle adjustable type	manual	Std
GE-2916COV105MFZ	SWG36-105-65Z	2-9/16"	105/15000	298	267	2-9/16" -15000psi API flange	needle adjustable type	manual	Std
GE-318COV35MFZ	SWG36-35-80Z	3-1/8"	35/5000	289	226	3-1/8" -5000psi API flange	needle adjustable type	manual	Std
GE-3116COV70MFZ	SWG36-70-78Z	3-1/16"	70/10000	298	264	3-1/16" -10000psi API flange	needle adjustable type	manual	Std
GE-3116COV105MFZ	SWG36-105-78Z	3-1/16"	105/15000	295	264	3-1/16" -15000psi API flange	needle adjustable type	manual	Std
GE-3COV105MFT	SWG36-105-78T	3"	105/15000	240	312	3-1/16" -15000psi API flange	barrel adjustable type	manual	Std
GE-4116COV35MFT	SWG36-35-103T	4-1/16"	35/5000	298	264	4-1/16" -5000psi API flange	barrel adjustable type	manual	Std
GE-4116COV70MFZ	SWG36-70-103Z	4-1/16"	70/10000	292	252	4-1/16" -10000psi API flange	needle adjustable type	manual	Std

## Repair kits for choke valve



- ① O-ring I   ② washer   ③ supporting ring  
 ④ combination seal ring   ⑤ sealing retainer ring  
 ⑥ O-ring II   ⑦ supporting ring for O-ring

## Detailed list of repair kits for choke valve

Purchasing No.	GE-2COV105215MZXL	GE-3COV105315MZXL	GE-2COV140220MZXL	
Spec.Mpa/Psi	2" -105/15000	3" -105/15000	2" -140/20000	
S/N	Name			Quantity
1	O-ring I	1	1	1
2	Washer	1	1	1
3	Supporting ring	1	1	1
4	combination seal ring	1	1	1
5	Sealing retainer ring	1	1	1
6	O-ring II	1	1	1
7	Supporting ring for O-ring	1	1	1