

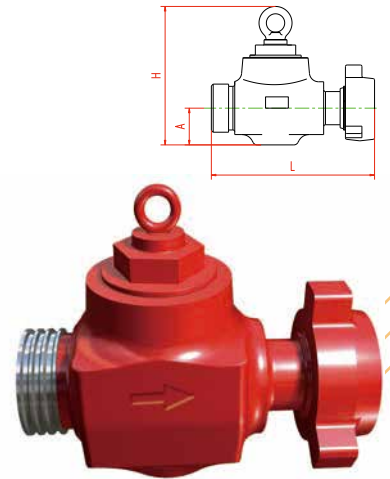
# CHECK VALVE

A check valve is used to stop the return flow in the high pressure piping. A baffle plate or dart will automatically close when flow returns.

The check valves are made of high strength alloy steel forgings, with unions on both ends to facilitate dismounting the valve in the piping, and have a long operation life in high pressure system. We can provide beeline baffle, top cover baffle and dart type check valves.

## Top cover baffle type check valve

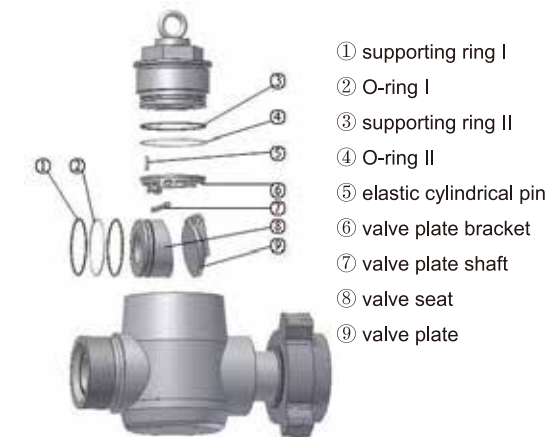
- The structure is simple, and the repairing can be done without removing the valve.
- Clear flow direction identification mark.



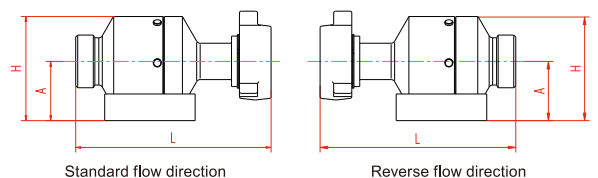
Purchasing No.	Model	Size	Working pressure MPa/psi	Overall dimensions (mm)			Connection type	Flow direction	Environment
				L	A	H			
GE-2CEV105215SD	SWG33-105-2S	2"	105/15000	318	80	176	FIG1502 (F x M)	Std	Std
GE-3CEV105315SD	SWG33-105-3S	3"	105/15000	421	88	216	FIG1502 (F x M)	Std	Std

## Repair kits for top cover baffle type check valve

Purchasing No.	GE-2CEV105215SDXL	GE-3CEV105315SDXL
SpecMPa/psi	2" (05/15000)	3" (105/15000)
S/N	Description	qty
1	Supporting ring I	2
2	O-ring I	1
3	Supporting ring II	1
4	O-ring II	1
5	Elastic cylindrical pin	1
6	Valve plate bracket	1
7	Valve plate shaft	1
8	Valve seat	1
9	Valve plate	1



- ① supporting ring I
- ② O-ring I
- ③ supporting ring II
- ④ O-ring II
- ⑤ elastic cylindrical pin
- ⑥ valve plate bracket
- ⑦ valve plate shaft
- ⑧ valve seat
- ⑨ valve plate



## Beeline baffle type check valve

- High strength forged alloy steel, good appearance, and easily installation.
- Apparent flow direction identification mark.
- The valves should be installed horizontally, with the base facing downward.
- Standard or reverse flow direction valves are both available.

Purchasing No.	Model	Size	Working pressure MPa/psi	Overall dimensions(mm)			Connection type	Flow direction	Environment
				L	A	H			
GE-2CEV105215ZD	SWG33-105-2Z	2"	105/15000	358	120	214	FIG1502 (F×M)	Std	Std
GE-2CEV105215ZDR	SWG33-105-2Z	2"	105/15000	358	120	214	FIG1502 (F×M)	reverse flow direction	Std
GE-2CEV140220ZD	SWG33-140-2Z	2"	140/20000	429	134	236	FIG2002 (F×M)	Std	Std
GE-3CEV105315ZD	SWG33-105-3Z	3"	105/15000	403	137	242	FIG1502 (F×M)	Std	Std
GE-3CEV105315ZDR	SWG33-105-3Z	3"	105/15000	403	137	242	FIG1502 (F×M)	reverse flow direction	Std
GE-3CEV140320ZD	SWG33-140-3Z	3"	140/20000	578	189	356	FIG2002 (F×M)	Std	Std

## Repair kits for beeline baffle type check valve

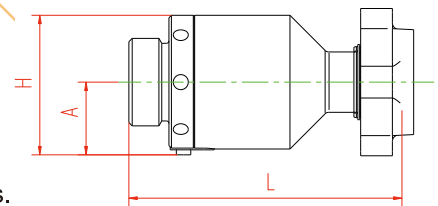


- ① O-rign I
- ② valve seat
- ③ valve plate
- ④ valve plate shaft
- ⑤ supporting ring
- ⑥ O-ring II
- ⑦ dust ring

Purchasing No.	GE-2CEV140220ZDXL	GE-2CEV105215ZDXL	GE-3CEV140220ZDXL	GE-3CEV105315ZDXL
Spec.Mpa/Psi	2" (140/20000)	2" (105/20000)	3" (140/20000)	3" (105/15000)
S/N	Description			
	qty			
1	O-ring I	1	1	1
2	valve seat	1	1	1
3	valve plate	1	1	1
4	valve plate shaft	1	1	1
5	supporting ring	1	1	1
6	O-ring II	1	1	1
7	dust ring	1	1	1

## Dart type check valve

- Unlimited installation direction .
- Easy installation and dismounting .
- A certain self-locking performance and suitable for air tight environments.



Purchasing No.	Model	Size	Working pressure Mpa/Psi	Overall dimensions(mm)			Connection type	Flow direction	Environment
				L	A	H			
GE-2CEV105215FB	SWG33-105-2F	2"	105/15000	332	80	158	FIG1502 (F×M)	Std	Std
GE-3CEV105315FB	SWG33-105-3F	3"	105/15000	420	113	175	FIG1502 (F×M)	Std	Std

## Repair kits for dart type check valve

Purchasing No.	GE-2CEV105215FBXL	GE-3CEV105315FBXL
Spec.Mpa/Psi	2" (105/15000)	3" (105/15000)
S/N	Description	
	Quantity	
1	Seal ring	1
2	Dart body	1
3	O-ring I	1
4	Seal ring for dart body	1
5	Sealing gland	1
6	Lock nut	1
7	Spring	1
8	O-ring II	1



- ① seal ring
- ② dart body
- ③ O-ring I
- ④ seal ring for dart body
- ⑤ sealing gland
- ⑥ lock nut
- ⑦ spring
- ⑧ O-ring II